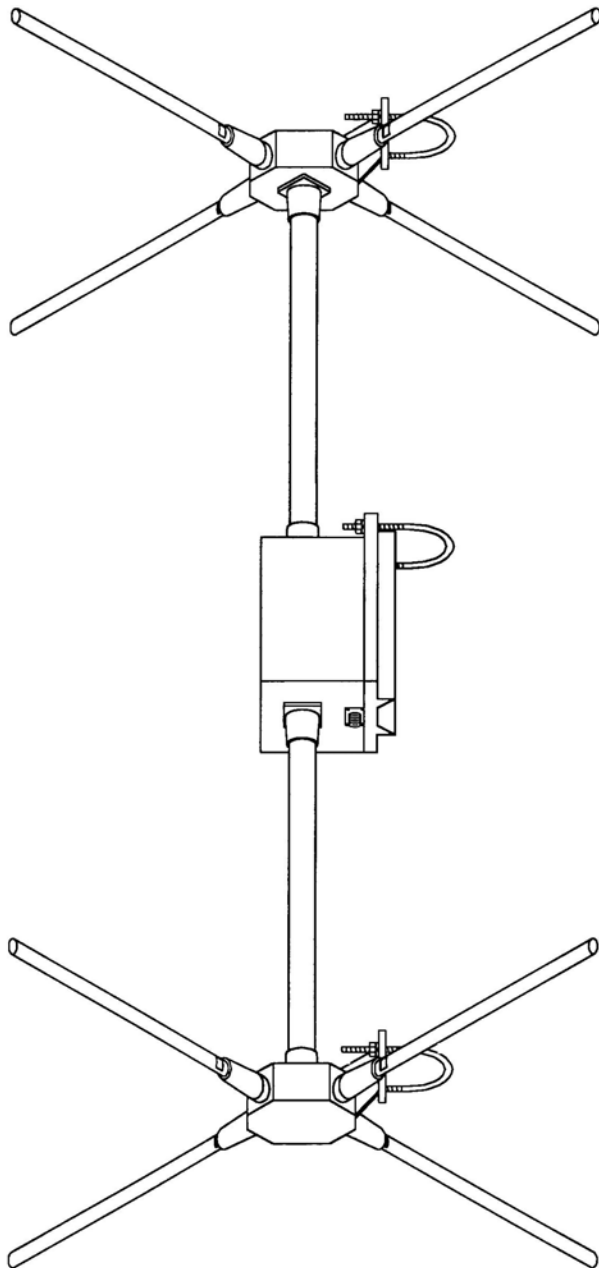


OFT-2S OMNI-DIRECTIONAL DUAL ARRAY ANTENNA



This antenna is based on TACO's commercial off-the-shelf OFT dual array antenna.

SPECIFICATIONS	
ELECTRICAL	
FREQUENCY (MHz)	108-118
GAIN (dBi Nominal)	2 dBi (Main Lobe)
POLARIZATION	Horizontal
VSWR	Less than 1.6:1
TERMINAL TYPE	"N" Female
TERMINAL IMPEDANCE	50 Ohms
MAXIMUM POWER	40 Watts
MECHANICAL	
HEIGHT (Max)	71.50 in. (181.6 cm)
WIDTH (Max)	60.00 in. (152.4 cm)
MOUNT (Mast Dia)	2 to 3 in. (3 in. u-bolt)
WEIGHT	19.5 lbs (8.85 kg)