

## OFT-2M OMNI DIRECTIONAL

- Dual Array Antenna

### Specifications

#### ELECTRICAL

MODEL	OFT-2M
Frequency (MHz)	108 - 118
Gain (dBi Minimum)	2 dBi (Main Lobe)
Polarization	Horizontal
VSWR	Less than 1.6:1
Terminal Type	"N" Female
Terminal Impedence	50 Ohms
Maximum Power	40 Watts

#### MONITOR PORT

MODEL	OFT-2M
Terminal Type	"N" Female
Coupled Level	-45dB $\pm$ 5dB (below input level)
Directivity	Greater than 20dB

#### MECHANICAL

MODEL	OFT-2M
Height (Max)	71.50 in. (181.6)
Width (Max)	60.0 in. (152.4 cm)
Mount (Mast Diameter)	2 - 3 in. (3 in. u -bolt)
Weight	19.5 lbs (8.85 kg)

TACO Antenna's ongoing policy of continuing development may result in specification changes to its products.

#### US AND INTERNATIONAL SALES AGENT

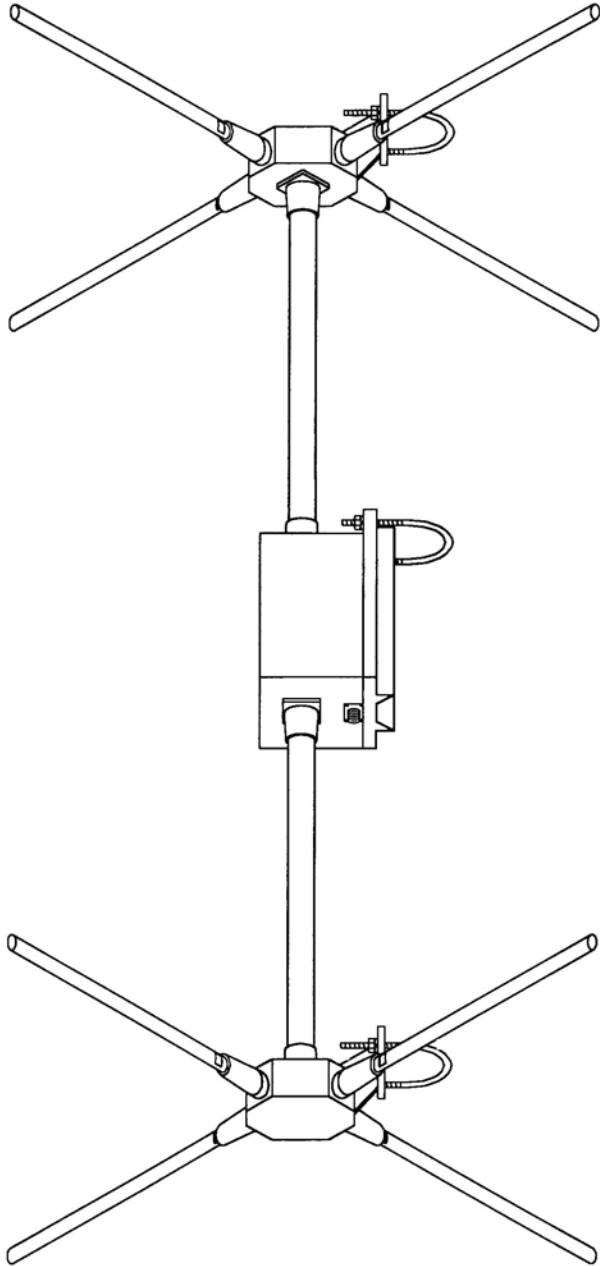
##### TACO Antenna Sales Rep

Tel: 717.975.0885  
 Toll Free: 866.975.4433  
 Fax: 717.763.0469  
 Email: sales@tacoantenna.com  
 Web Site: www.tacoantenna.com

#### CANADIAN SALES OFFICE

##### TACO Antenna

*A division of Wade Antenna, Inc.*  
 29 Sharp Road,  
 Brantford, Ontario, N3T 5L8, Canada  
 Tel: 519.756.7157  
 Fax: 519.756.5056  
 cansales@tacoantenna.com



## OFT-2S OMNI DIRECTIONAL Dual Array Antenna

This antenna is based on TACO's commercial off-the-shelf OFT dual array antenna

### Specifications

#### ELECTRICAL

MODEL	OFT-2S
Frequency (MHz)	108 - 118
Gain (dBi Minimum)	2 dBi (Main Lobe)
Polarization	Horizontal
VSWR	Less than 1.6:1
Terminal Type	"N" Female
Terminal Impedence	50 Ohms
Maximum Power	40 Watts

#### MECHANICAL

MODEL	OFT-2S
Height (Max)	71.50 in. (181.6)
Width (Max)	60.0 in. (152.4 cm)
Mount (Mast Diameter)	2 - 3 in. (3 in. u -bolt)
Weight	19.5 lbs (8.85 kg)

TACO Antenna's ongoing policy of continuing development may result in specification changes to its products.

#### US AND INTERNATIONAL SALES AGENT

##### TACO Antenna Sales Rep

Tel: 717.975.0885  
Toll Free: 866.975.4433  
Fax: 717.763.0469  
Email: sales@tacoantenna.com  
Web Site: www.tacoantenna.com

#### CANADIAN SALES OFFICE

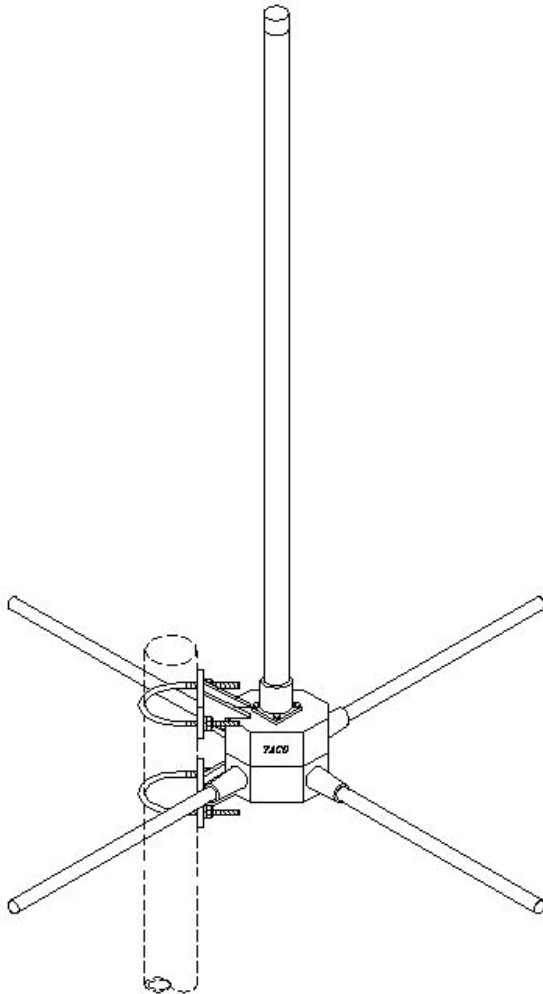
##### TACO Antenna

*A division of Wade Antenna, Inc.*  
29 Sharp Road,  
Brantford, Ontario, N3T 5L8, Canada  
Tel: 519.756.7157  
Fax: 519.756.5056  
cansales@tacoantenna.com

## OFT-EP OMNI DIRECTIONAL Single Array Antenna

The OFT-EP is an omni directional, elliptically polarized antenna for differential communications (LADGPS) between ground and aircraft. It is a combination of a horizontally polarized loop antenna and a vertically polarized dipole antenna, with a power split of 75%-25% respectively.

### Specifications



#### ELECTRICAL

MODEL	OFT-EP
Frequency (MHz)	108 - 118
Gain (dBi Nominal)	Horiz. Polarization 0.75 dBi (-1.25 dBd) Vert. Polarization -4.0 dBi (-6 dBd)
VSWR	Less than 1.6:1
Terminal Type	"N" Female
Terminal Impedence	50 Ohms
Maximum Power	40 Watts
Lightning Protection	DC GROUND

#### MECHANICAL

MODEL	OFT-EP
Height (Max)	62.0 in. (157.5 cm)
Width (Max)	58.0 in. (147.3 cm)
Mount (Mast Dia.)	2 - 3 in. (3 in. u -bolt)
Weight	7.5 lbs (7.95 kg)

TACO Antenna's ongoing policy of continuing development may result in specification changes to its products.

#### US AND INTERNATIONAL SALES AGENT

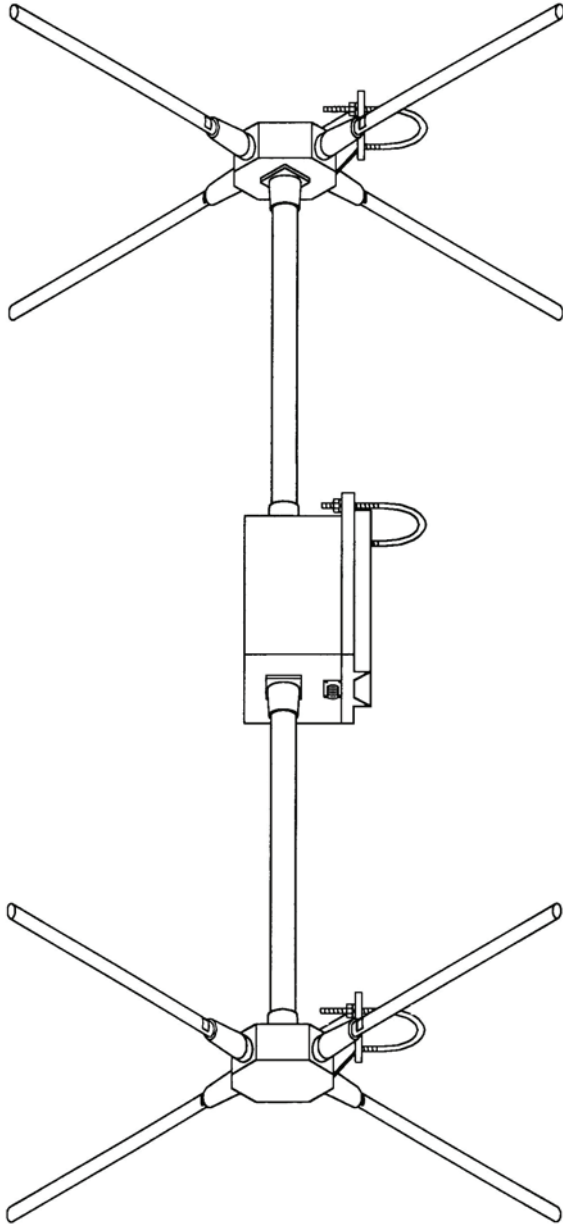
##### TACO Antenna Sales Rep

Tel: 717.975.0885  
Toll Free: 866.975.4433  
Fax: 717.763.0469  
Email: sales@tacoantenna.com  
Web Site: www.tacoantenna.com

#### CANADIAN SALES OFFICE

##### TACO Antenna

A division of Wade Antenna, Inc.  
29 Sharp Road,  
Brantford, Ontario, N3T 5L8, Canada  
Tel: 519.756.7157  
Fax: 519.756.5056  
cansales@tacoantenna.com



## OFT-SP OMNI DIRECTIONAL Dual Array Antenna

This antenna is based on TACO's commercial off-the-shelf OFT dual array antenna

### Specifications

#### ELECTRICAL

MODEL	OFT-SP
Frequency (MHz)	108 - 118
Gain (dBi Minimum)	1.75 dBi (Main Lobe)
Polarization	Horizontal
VSWR	Less than 1.6:1
Terminal Type	"N" Female
Terminal Impedence	50 Ohms
Maximum Power	40 Watts

#### MECHANICAL

MODEL	OFT-SP
Height (Max)	41.50 in. (105.5)
Width (Max)	60.0 in. (152.4 cm)
Mount (Mast Diameter)	2 - 3 in. (3 in. u -bolt)
Weight	7.5 lbs (8.85 kg)

TACO Antenna's ongoing policy of continuing development may result in specification changes to its products.

#### US AND INTERNATIONAL SALES AGENT

##### TACO Antenna Sales Rep

Tel: 717.975.0885  
 Toll Free: 866.975.4433  
 Fax: 717.763.0469  
 Email: sales@tacoantenna.com  
 Web Site: www.tacoantenna.com

#### CANADIAN SALES OFFICE

##### TACO Antenna

A division of Wade Antenna, Inc.  
 29 Sharp Road,  
 Brantford, Ontario, N3T 5L8, Canada  
 Tel: 519.756.7157  
 Fax: 519.756.5056  
 cansales@tacoantenna.com