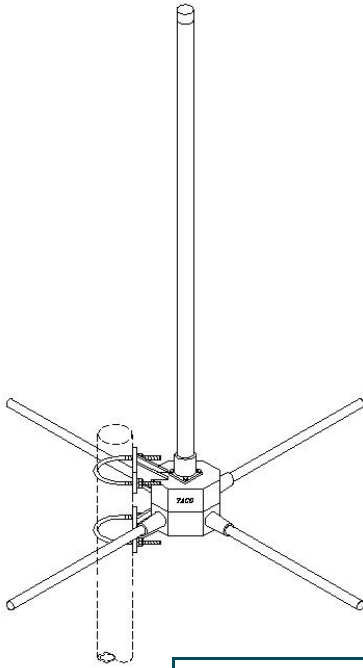


OFT-EP OMNI-DIRECTIONAL ANTENNA



The OFT-EP is an omni directional, elliptically polarized antenna for differential communications (LADGPS) between ground and aircraft. It is a combination of a horizontally polarized loop antenna and a vertically polarized dipole antenna, with a power split of 75%-25% respectively.

SPECIFICATIONS	
ELECTRICAL	
FREQUENCY (MHz)	108-118
GAIN (dBi Nominal)	Horizontal Polarization 0.75 dBi (-1.25 dBd) Vertical Polarization -4.0 dBi (-6 dBd)
VSWR	Less than 1.6:1
TERMINAL TYPE	“N” Female
TERMINAL IMPEDANCE	50 Ohms
MAXIMUM POWER	80 Watts
LIGHTNING PROTECTION	DC GROUND
MECHANICAL	
HEIGHT (Max)	62.0 in. (157.5 cm)
WIDTH (Max)	58.0 in. (147.3 cm)
MOUNT (Mast Dia)	2 to 3 in. (3 in. u-bolt)
WEIGHT	7.5 lbs (7.95 kg)

TACO Communications, Inc.
5512 Bearcreek Drive,
Mechanicsburg, PA 17050
Email: sales@tacocommunications.com
Web Site: www.tacocommunications.com

TACO Communications, Inc.
29 Sharp Road
P.O. Box 1206
Brantford, Ontario, CANADA
N3T 5L8