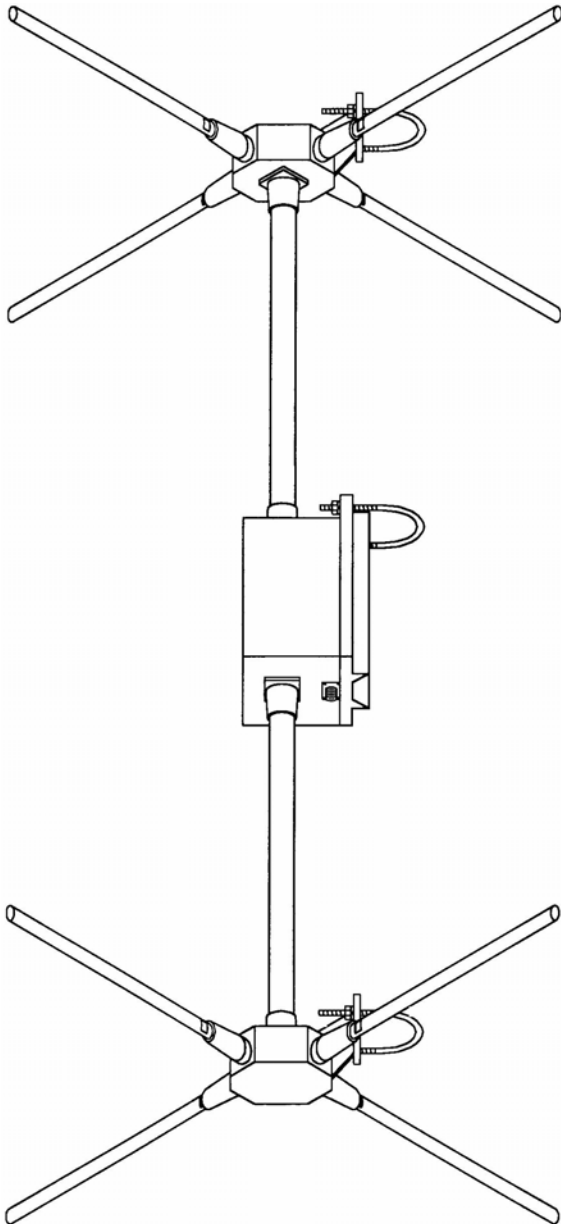


OFT-SP OMNI-DIRECTIONAL DUAL ARRAY ANTENNA



This antenna is based on TACO's commercial off-the-shelf OFT dual array antenna.

SPECIFICATIONS	
ELECTRICAL	
FREQUENCY (MHz)	108-118
GAIN (dBi Nominal)	1.75 dBi (Main Lobe)
POLARIZATION	Horizontal
VSWR	Less than 1.6:1
TERMINAL TYPE	"N" Female
TERMINAL IMPEDANCE	50 Ohms
MAXIMUM POWER	40 Watts
MECHANICAL	
HEIGHT (Max)	41.50 in. (105.5 cm)
WIDTH (Max)	60.00 in. (152.4 cm)
MOUNT (Mast Dia)	2 to 3 in. (3 in. u-bolt)
WEIGHT	7.5 lbs (7.95 kg)

TACO Communications, Inc.

5512 Bearcreek Drive,
Mechanicsburg, PA 17050
Email: sales@tacocommunications.com
Web Site: www.tacocommunications.com

TACO Communications, Inc.

29 Sharp Road
P.O. Box 1206
Brantford, Ontario, CANADA
N3T 5L8