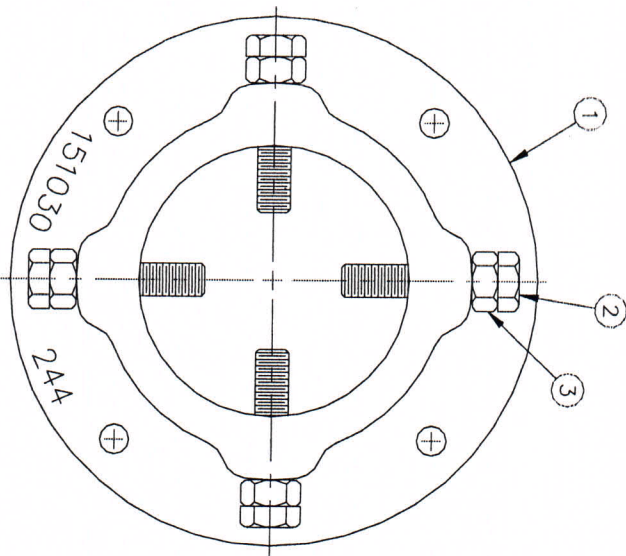


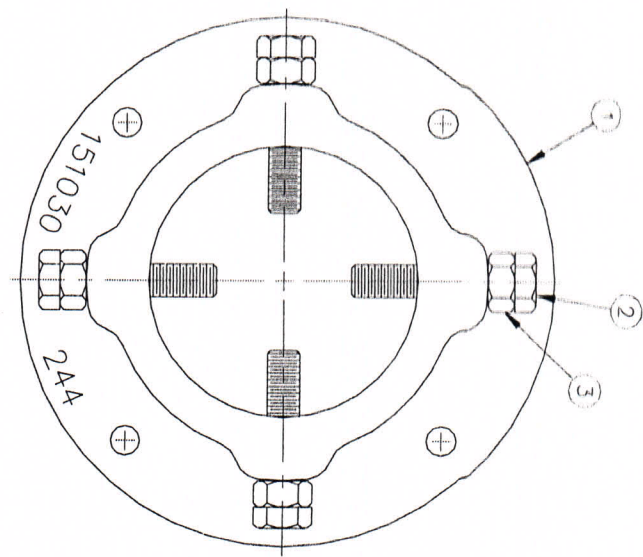
390150 – INSTRUCTION SHEET – 244A FLANGE SUB ASSY

ITEM	PART NO	DESCRIPTION
1	551001	244 FLANGE MACHINED
2	236150	BOLT, ZCP HEX HD, 5/16-18 x 1-1/2"
3	246140	NUT, HEX 5/16-18



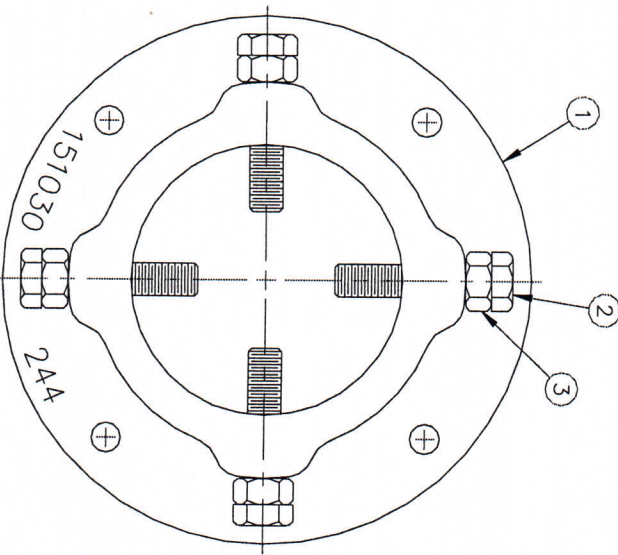
390150 – INSTRUCTION SHEET – 244A FLANGE SUB ASSY

ITEM	PART NO	DESCRIPTION
1	551001	244 FLANGE MACHINED
2	236150	BOLT, ZCP HEX HD, 5/16-18 x 1-1/2"
3	246140	NUT, HEX 5/16-18



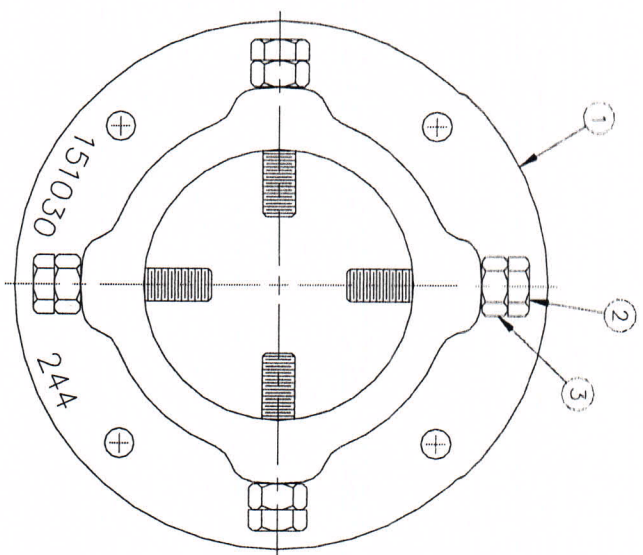
390150 – INSTRUCTION SHEET – 244A FLANGE SUB ASSY

ITEM	PART NO	DESCRIPTION
1	551001	244 FLANGE MACHINED
2	236150	BOLT, ZCP HEX HD, 5/16-18 x 1-1/2"
3	246140	NUT, HEX 5/16-18



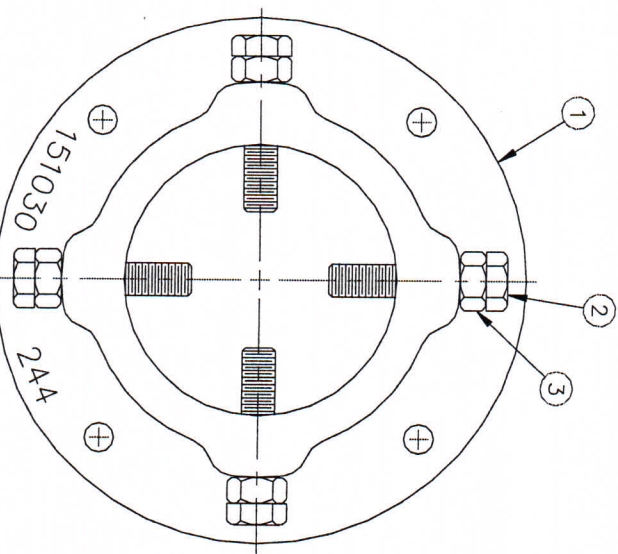
390150 – INSTRUCTION SHEET – 244A FLANGE SUB ASSY

ITEM	PART NO	DESCRIPTION
1	551001	244 FLANGE MACHINED
2	236150	BOLT, ZCP HEX HD, 5/16-18 x 1-1/2"
3	246140	NUT, HEX 5/16-18



390150 – INSTRUCTION SHEET – 244A FLANGE SUB ASSY

ITEM	PART NO	DESCRIPTION
1	551001	244 FLANGE MACHINED
2	236150	BOLT, ZCP HEX HD, 5/16-18 x 1-1/2"
3	246140	NUT, HEX 5/16-18



390150 – INSTRUCTION SHEET – 244A FLANGE SUB ASSY

ITEM	PART NO	DESCRIPTION
1	551001	244 FLANGE MACHINED
2	236150	BOLT, ZCP HEX HD, 5/16-18 x 1-1/2"
3	246140	NUT, HEX 5/16-18

