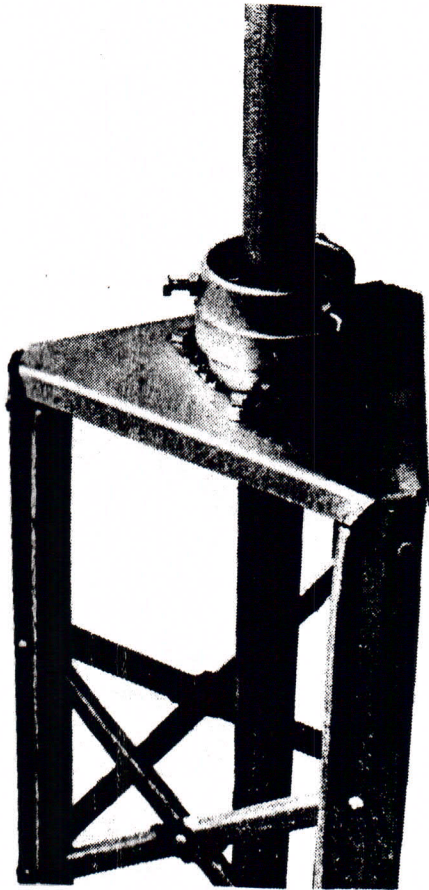
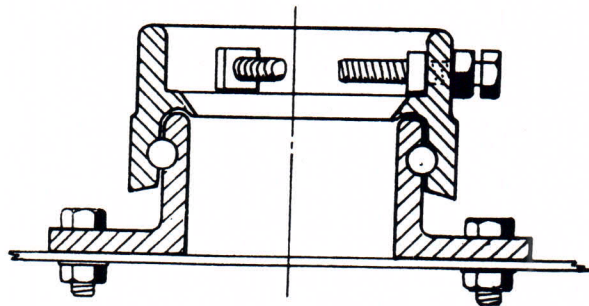


Recommended Tower Accessory

Delhi Ball Bearing Mast Bearing Model BBMB



BBMB mounted on tower plate



Cross section of BBMB one half life size

FEATURES

- * Extends rotor life by reducing rotor strain
- * Designed for largest TV antennas, CB and amateur beams
- * Eliminates mast rattle
- * Fits DMX, DMXMD, DMXHD, DME, and ET tower top plates without drilling
- * Accepts masts up to 2 1/8" O.D.
- * Made of solid cast aluminum with precision ground and polished steel balls
- * Packed with all temperature grease
- * Complete with 7 bolts and 10 nuts
- * Shipping weight 1.25 lbs.

