

INSTALLATION INSTRUCTIONS FOR:  
**BTA-38**

**WARNING:**  
INSTALLATION OF THIS ANTENNA NEAR POWER LINES IS DANGEROUS. FOR YOUR SAFETY, FOLLOW THE INSTALLATION INSTRUCTIONS.

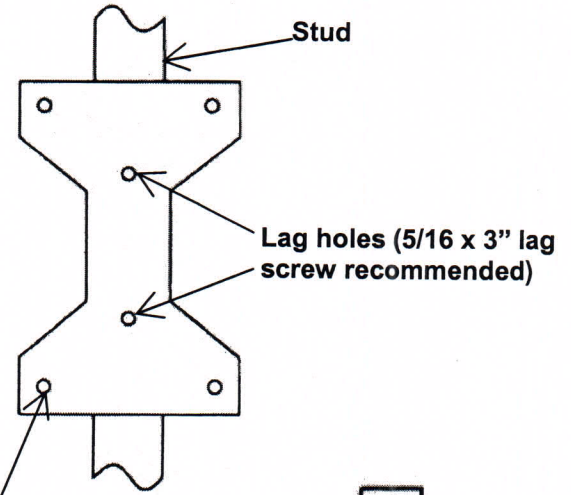
**INSTRUCTIONS**

**NOTE:** This mount is designed to fit on the side of a house. Either end of the mast can be attached to the base, depending on how much clearance is required for the antenna.

**NOTE:** Lag bolts not supplied.

**NOTE:** Not recommended for antennas with a boom length longer than 40".

- STEP 1.** Locate a stud in the area to be installed.
- STEP 2.** Drill a small pilot hole, to help start threading the lag bolts (5/16 x 3" recommended).
- STEP 3.** Apply silicone sealant to back of the base to seal holes.
- STEP 4.** Using lag bolts tighten the base to the wall. Make sure mast is plumb.



If siding is heavy enough these holes can also be used to help secure the base.

