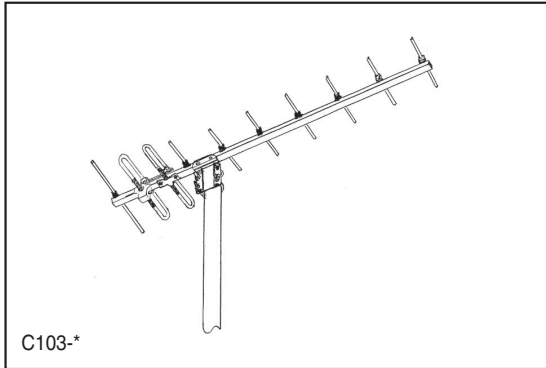


C51-*



C103-*

C-SERIES YAGI ANTENNAS

- C51-*
- C101-*
- C103-*

These rugged 75 Ohm yagi antennas have stainless steel fasteners and reinforced element sleeves. Low band models have vibration dampeners in the parasitic elements for longer life. Insulator and terminal cavities are foam filled for resistance to moisture.

There are two low band models and one high band model. The five element low band and ten element high band models are available with the exclusive **Wade Cantilever Mount**. However, due to the length of the boom, the ten element low band model (C101-*) is not available with a cantilever mount.

SPECIFICATIONS:

ELECTRICAL

| MODEL | C51-* | C101-* | C103-* |
|------------------|-----------------|-----------------|-----------------|
| NO. ELEMENTS | 5 | 10 | 10 |
| CHANNEL* | 2 To FM | 2 To FM | 7 To 13 |
| GAIN | 9 dBi | 11.5 dBi | 12 dBd |
| IMPEDANCE | 75 Ohm | 75 Ohm | 75 Ohm |
| VSWR | 1.4:1 | 1.4:1 | 1.35:1 |
| FR:BK RATIO | 20 dB | 20 dB | 20 dB |
| POLARIZATION | V or H | V or H | V or H |
| H. BEAM WIDTH | 57 deg. | 48.6 deg. | 45 deg. |
| V. BEAM WIDTH | 100 deg. | 64 deg. | 58 deg. |
| CONNECTOR | "F" Connector | "F" Connector | "F" Connector |
| CENTRE MOUNT | Standard | Standard | Standard |
| CANTILEVER MOUNT | Optional | Not Available | Optional |
| PIPE SIZE** | Up To 2.5" O.D. | Up To 2.5" O.D. | Up To 2.5" O.D. |

* SPECIFY CHANNEL. ** LARGER SIZES ARE AVAILABLE ON REQUEST

WADE Antenna Inc.

29 Sharp Road
 Brantford, Ontario, N3T 5L8 Canada
 Tel: 519.756.7157
 Fax: 519.756.5056

(800) 463-1607
sales@wadeantenna.com

www.wadeantenna.com

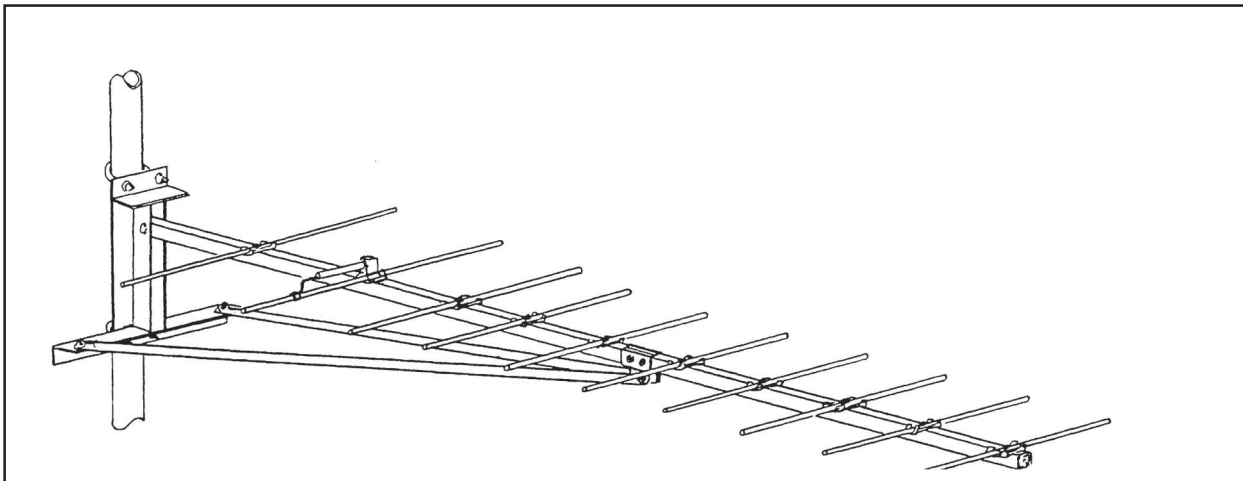
SPECIFICATIONS:

MECHANICAL

| MODEL | C51-* | C101-* | C103-* | C103-* | C103-* |
|---------|-------|--------|--------|--------|--------|
| C51-2 | 93 | 110 | 15 | 117 | 287 |
| C51-3 | 93 | 98 | 15 | 104 | 266 |
| C51-4 | 79 | 88 | 15 | 97 | 244 |
| C51-5 | 79 | 80 | 15 | 84 | 213 |
| C51-6 | 79 | 74 | 15 | 78 | 177 |
| C51-FM | 79 | 70 | 15 | 76 | 169 |
| C101-2 | 181.5 | 110 | 34 | 192 | 470 |
| C101-3 | 181 | 100 | 34 | 188 | 468 |
| C101-4 | 148 | 90 | 34 | 170 | 428 |
| C101-5 | 148 | 78 | 34 | 149 | 377 |
| C101-6 | 148 | 72 | 34 | 190 | 354 |
| C101-FM | 148 | 70 | 34 | 135 | 330 |
| C103-7 | 86.5 | 35 | 12.5 | 52 | 152 |
| C103-8 | 86.5 | 34 | 12.5 | 51 | 150 |
| C103-9 | 86.5 | 32 | 12.5 | 49 | 138 |
| C103-10 | 86.5 | 32 | 12.5 | 48 | 136 |
| C103-11 | 86.5 | 32 | 12.5 | 48 | 135 |
| C103-12 | 86.5 | 28 | 12.5 | 48 | 125 |
| C103-13 | 86.5 | 28 | 12.5 | 48 | 123 |

* LENGTH OF LONGEST ELEMENT

** WIND SPEED 100 MPH



WADE CANTILEVER MOUNT
(SHOWN ON MODEL J105 - ANETNNA)

WADE Antenna Inc.

29 Sharp Road
Brantford, Ontario, N3T 5L8 Canada
Tel: 519.756.7157
Fax: 519.756.5056

(800) 463-1607
sales@wadeantenna.com

www.wadeantenna.com