

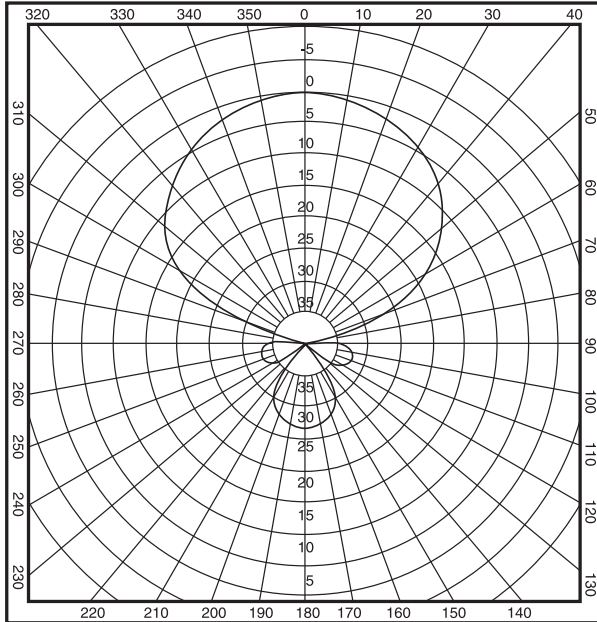
## WADE ANTENNA

### SINGLE HIGH BAND ANTENNA MODEL:

◆ WL 7-13/S

### HIGH BAND ANTENNA

A single high band model provides optimum performance over the entire VHF high band. This sturdy antenna gives excellent performance with reliable, trouble free operation. A newly designed feed point accepts a standard 75 Ohm CATV housing connector.



### WADE LOG PERIODIC ANTENNA

#### SINGLE ANTENNA

#### ELECTRICAL SPECIFICATIONS

#### SPECIFICATION

WL 7-13/S

FREQUENCY RANGE	174-216 MHz
CHANNELS	7 To 13
GAIN	11.5 dBi
IMPEDANCE	75 Ohm
VSWR	<1.25:1
FR:BK RATIO	>25 dB
POLARIZATION	H or V
H. BEAM WIDTH	50 deg.
V. BEAM WIDTH	70 deg.
SIDE LOBE SUPPRESSION*	>30 dB
CONNECTORS**	"F" Connector
STD. MOUNT	1/2" U-Bolts to Fit 2 7/8" O.D. Pipe

\*WHERE INTERFERING SIGNALS SUCH AS CO-CHANNEL, ADJACENT CHANNEL AND GHOSTING ARE PRESENT, CUSTOM ARRAYS CAN BE DESIGNED TO REDUCE THE LEVEL OF INTERFERENCE BY AS MUCH AS 40 dB IN MOST CASES.

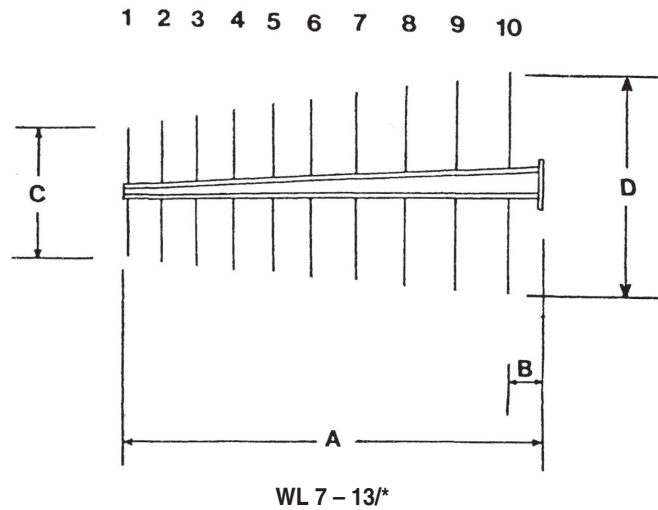
**WADE LOG PERIODIC ANTENNA**

SINGLE ANTENNA WIND AND ICE LOADING

SPECIFICATION WL 7-13/S

BOOM LENGTH	96"
WEIGHT (LBS):	
NO ICE	25
1" RADIAL ICE	140
WIND LOAD (LBS):	
NO ICE	60
1" RADIAL ICE	60
WIND TORQUE (Ft-Lbs):	
NO ICE	327
1" RADIAL ICE	235

WIND SPEED 100 MPH  
 HALF WIND 50 MPH



**WADE LOG PERIODIC ANTENNA**

SINGLE ANTENNA OVERALL DIMENSIONS

SPECIFICATION WL 7-13/S

NUMBER OF ELEMENTS	10
BOOM LENGTH (A)	96"
STUB LENGTH (B)	8.25"
SHORTEST ELEMENT (C)	19.25"
LONGEST ELEMENT (D)	33.625"