

TACO ANTENNAS

BROADBAND LOG PERIODIC TEST ANTENNA MODEL:

◆ J-283X

TEST ANTENNA

This broadband VHF/UHF antenna features a log periodic biconical design with performance exceeding the physical size of the antenna. The compact design and **single UHF/VHF broadband feed point** makes it ideally suited for use as a standby antenna for CATV head ends.

TACO CATV ANTENNAS

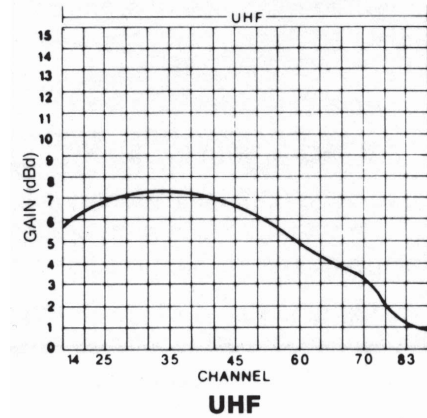
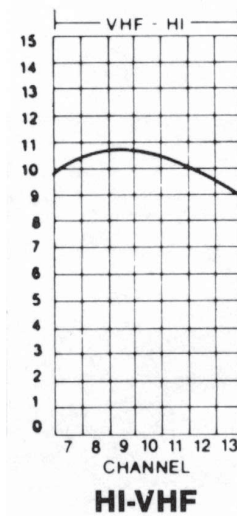
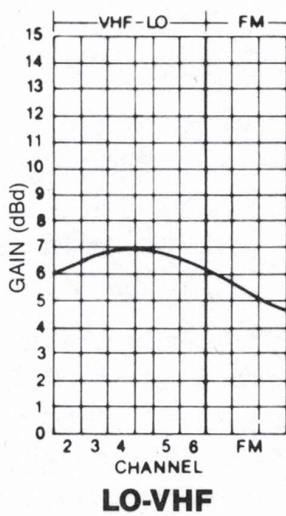
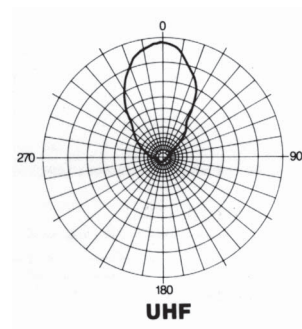
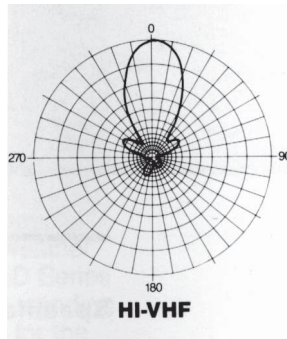
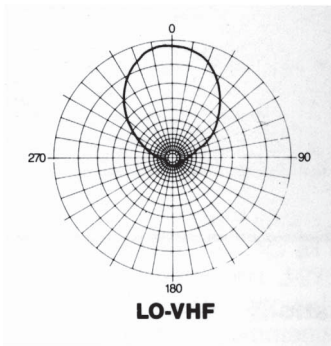
TEST ANTENNA

ELECTRICAL SPECIFICATIONS

SPECIFICATION	J-283X		
	LOW BAND	HIGH BAND	UHF BAND
FREQUENCY BAND	LOW BAND	HIGH BAND	UHF BAND
GAIN *	7-9 dBi	11-13 dBi	5-9 dBi
IMPEDANCE	75 Ohm	75 Ohm	75 Ohm
VSWR	1.5:1	1.5:1	1.5:1
FR:BK RATIO	18 dB	18 dB	20 dB
POLARIZATION	Horiz.	Horiz.	Horiz.
H. BEAM WIDTH	70 deg.	45 deg.	55 deg.
CONNECTOR	"F" Connector		
CENTRE MOUNT	Standard		
PIPE SIZE	1.5" To 2.0" O.D.		

* SEE GAIN CURVES NEXT PAGE

ELEMENTS 8 VHF
 7 UHF



Please Note: dBi = dBd + 2

TACO CATV ANTENNAS

TEST ANTENNA

MECHANICAL SPECIFICATIONS

MODEL

J-283X

BOOM LENGTH	90.5"
TURNING RADIUS	65 "
WEIGHT	20 Lbs
WIND LOAD AREA NO ICE	3.4 Sq. Ft.
1" RAD. ICE	12.4 Sq. Ft.
THRUST (Lbs.) NO ICE	116.7
1" RAD. ICE	111.9
TORQUE (Ft. - Lbs.) NO ICE	215.6
1" RAD. ICE	206.8

WIND SPEED NO ICE 100 MPH, 1" ICE 50 MPH