

TACO ANTENNAS

J-SERIES YAGI AND LOG PERIODIC ANTENNAS MODELS:

- ◆ J55-* (Single Channel)
- ◆ J105-* (Single Channel)
- ◆ J55-LO (Log Periodic)
- ◆ J105-HI (Log Periodic)

YAGI ANTENNAS

These economically priced yagi antennas have stainless steel fasteners and mounting hardware. They are available in both cut-to-channel and broadband models.

All J-Series antennas are available with the exclusive **Wade Cantilever Mount**.

TACO CATV ANTENNAS

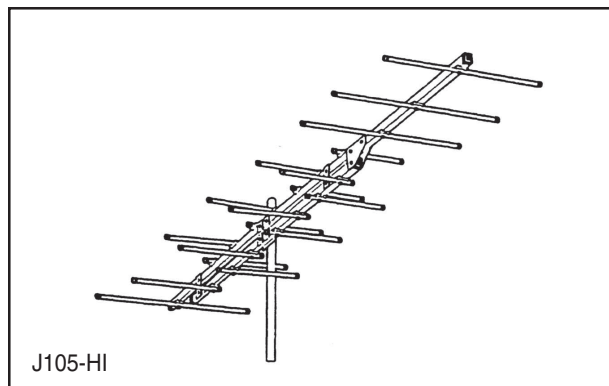
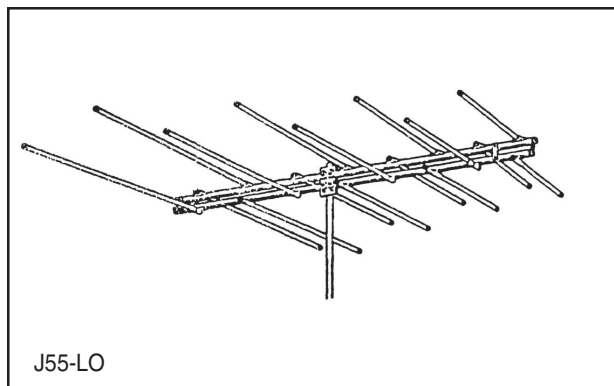
J-SERIES

ELECTRICAL SPECIFICATIONS

SPECIFICATION	J55-*	J105-*	J55-LO	J105-HI
NO. ELEMENTS	5	10	8	11
CHANNEL	2 To FM*	7 To 13*	2 Thru FM	7 Thru 13
GAIN	10 dBi	12.5 dBi	10 dBi	10.5 dBi
IMPEDANCE	75 Ohm	75 Ohm	75 Ohm	75 Ohm
VSWR	1.5:1	1.5:1	1.5:1	1.5:1
FR:BK RATIO	18 dB	20 dB	22 dB	22 dB
POLARIZATION	Horiz.	Horiz.	Horiz.	Horiz.
H. BEAM WIDTH	60 deg.	44 deg.	60 deg.	49 deg.
V. BEAM WIDTH	100 deg.	59 deg.	100 deg.	75 deg.
CONNECTOR	"F" Connector	"F" Connector	"F" Connector	"F" Connector
CENTRE MOUNT	Standard	Standard	Standard	Standard
CANTILEVER MOUNT	Optional	Optional	Optional	Optional
PIPE SIZE**	Up To 2.5" O.D.	Up To 2.5" O.D.	Up To 2.5" O.D.	Up To 2.5" O.D.

* SPECIFY CHANNEL.

** LARGER SIZES ARE AVAILABLE ON REQUEST



TACO CATV ANTENNAS

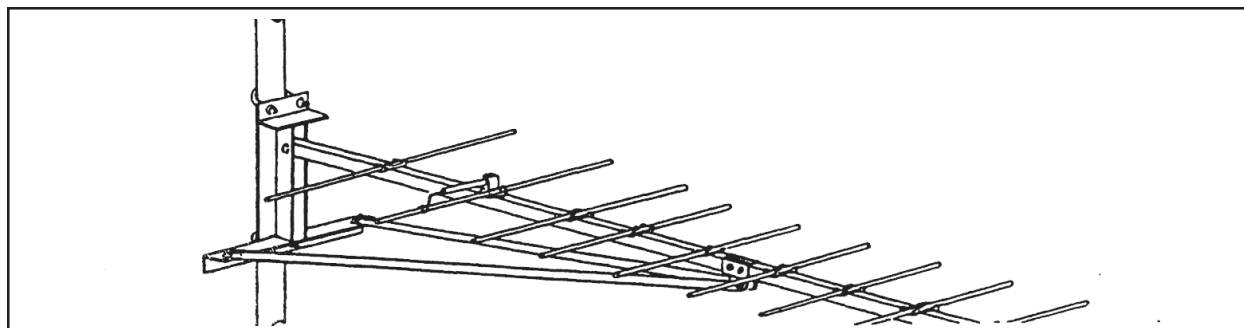
J-SERIES

MECHANICAL SPECIFICATIONS

MODEL	LENGTH (IN.)	WIDTH ¹ (IN.)	WEIGHT (Lbs)	WIND LOAD AREA		THRUST ² (Lbs.)		TORQUE (Ft. -Lbs.)	
				NO ICE	1" RAD. ICE	NO ICE	1" RAD. ICE	NO ICE	1" RAD. ICE
J55-LO	94	54	24	1.63	4.24	58.7	38.2	112.7	73.4
J105-HI	104	33	19	1.81	4.71	65.2	42.4	138.5	90.1
J55-2	102	110	18	0.89	2.30	32.1	20.7	66.9	43.2
J55-3	89	100.5	18	0.77	2.01	27.8	18.1	50.6	32.9
J55-4	88	89	17	0.76	1.99	27.4	17.9	49.3	32.2
J55-5	80	77	16	0.69	1.80	24.5	16.2	40.0	26.5
J55-6	71	70	16	0.62	1.60	22.4	14.4	32.5	20.9
J55-FM	79	65	16	0.68	1.78	24.4	16.0	39.4	25.8
J105-7	98	33.5	16	0.85	2.21	30.6	19.9	61.3	39.8
J105-8	98	32.5	16	0.85	2.21	30.6	19.9	61.3	39.8
J105-9	98	31.5	15	0.85	2.21	30.6	19.9	61.3	39.8
J105-10	91	30.5	15	0.79	2.05	28.5	18.5	53.0	34.4
J105-11	91	30	15	0.79	2.05	28.5	18.5	53.0	34.4
J105-12	85	28.5	15	0.74	1.92	26.7	17.3	46.4	30.1
J105-13	82	27	15	0.71	1.85	25.6	16.7	42.9	28.0

¹LENGTH OF LONGEST ELEMENT

²WIND NO ICE 100 MPH, 1" ICE 50 MPH



WADE CANTILEVER MOUNT
(SHOWN ON MODEL J105 - ANTENNA)