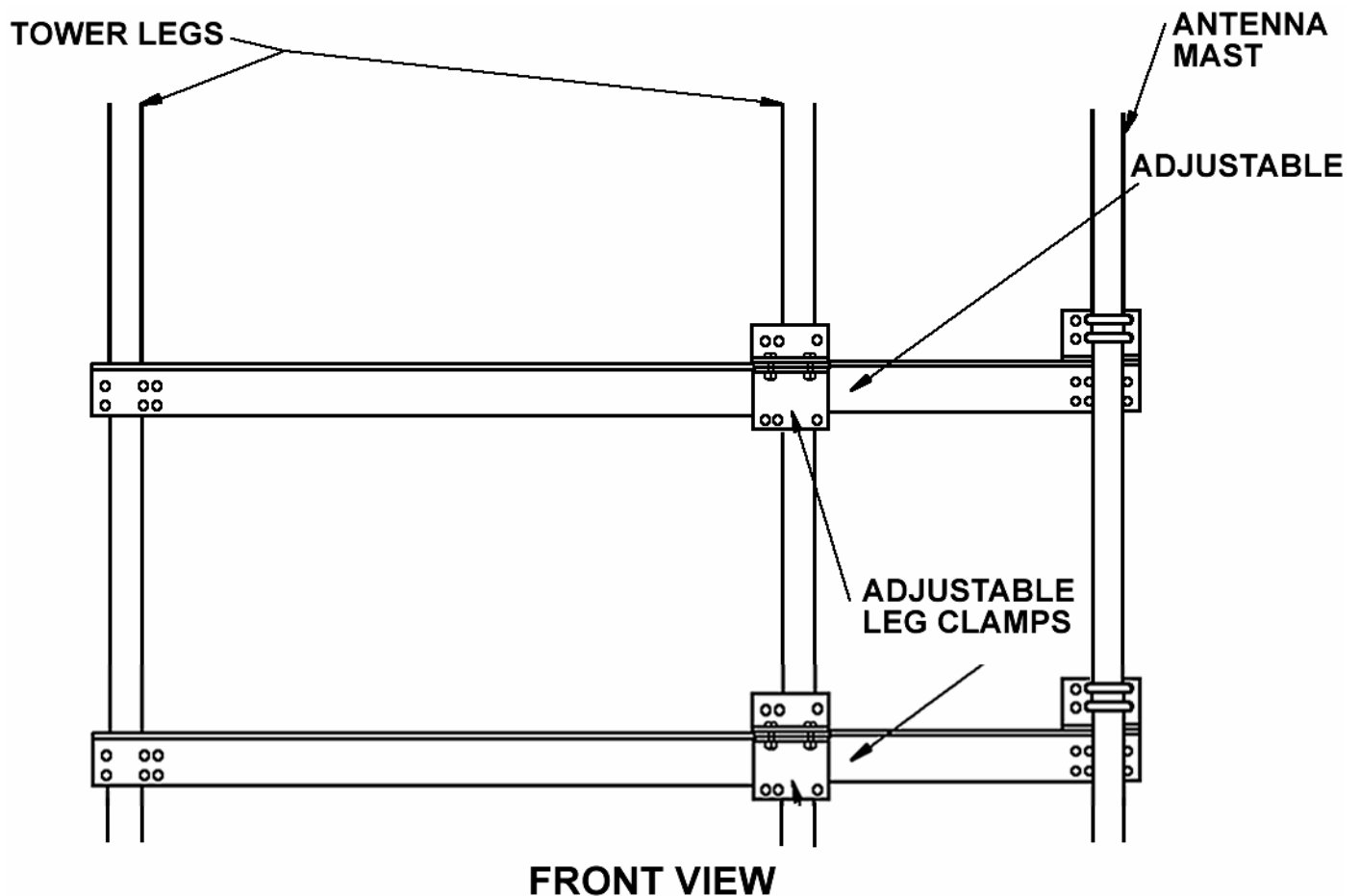


WADE ANTENNA, INC.

UNIVERSAL TOWER MOUNT



The tower mount is used to fasten the vertical pipe to the tower and to distribute the load of the antenna. This method of mounting is used when direct mounting of the antenna to the leg would cause too much stress on the leg. Tower mounts will normally be required for all angle leg towers and for smaller jig weld towers.