

J-SERIES YAGI AND LOG PERIODIC ANTENNAS MODELS:

- J55-* (Single Channel)
- J105-* (Single Channel)
- J55-LO (Log Periodic)
- J105-HI (Log Periodic)

YAGI ANTENNA

These economically priced yagi antennas have stainless steel fasteners and mounting hardware. They are available in both cut-to-channel and broadband models.

All J-Series antennas are available with the exclusive Wade Cantilever Mount.

SPECIFICATIONS:

ELECTRICAL

MODEL	CUT CHANNEL YAGIS		BROADBAND YAGIS	
	J55-*	J105-*	J55-LO	J105-HI
NO. ELEMENTS	5	10	8	11
CHANNEL*	2 To FM*	7 To 13*	2 Thru FM	7 Thru 13
GAIN	10 dBi	12.5 dBi	10 dBi	10.5 dBi
IMPEDANCE	75 Ohm	75 Ohm	75 Ohm	75 Ohm
VSWR	1.5:1	1.5:1	1.5:1	1.5:1
FR:BK RATIO	18 dB	20 dB	22 dB	22 dB
POLARIZATION	Horiz.	Horiz.	Horiz.	Horiz.
H. BEAM WIDTH	60 deg.	44 deg.	60 deg.	49 deg.
V. BEAM WIDTH	100 deg.	59 deg.	100 deg.	75 deg.
CONNECTOR	"F" Connector	"F" Connector	"F" Connector	"F" Connector
CENTRE MOUNT	Standard	Standard	Standard	Standard
CANTILEVER MOUNT	Optional	Optional	Optional	Optional
PIPE SIZE**	Up To 2.5" O.D.	Up To 2.5" O.D.	Up To 2.5" O.D.	Up To 2.5" O.D.

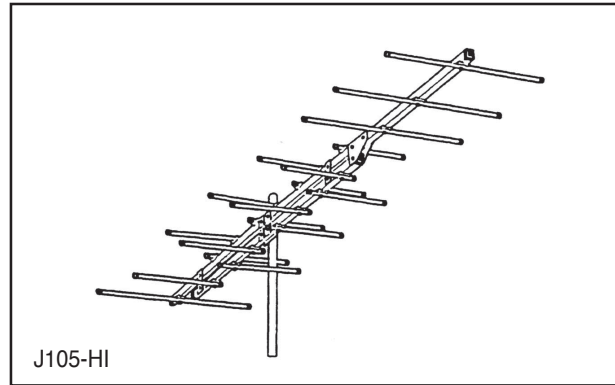
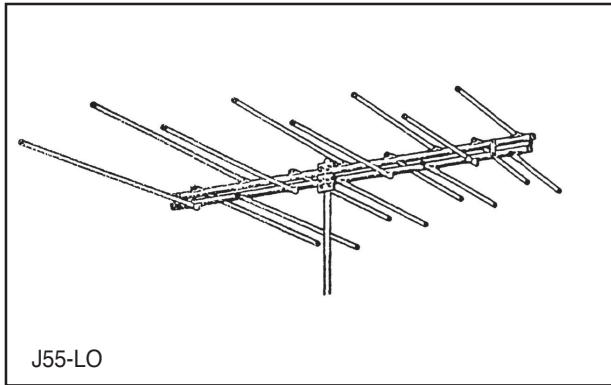
* SPECIFY CHANNEL. ** LARGER SIZES ARE AVAILABLE ON REQUEST

WADE Antenna Inc.

29 Sharp Road
 Brantford, Ontario, N3T 5L8 Canada
 Tel: 519.756.7157
 Fax: 519.756.5056

(800) 463-1607
 sales@wadeantenna.com

www.wadeantenna.com

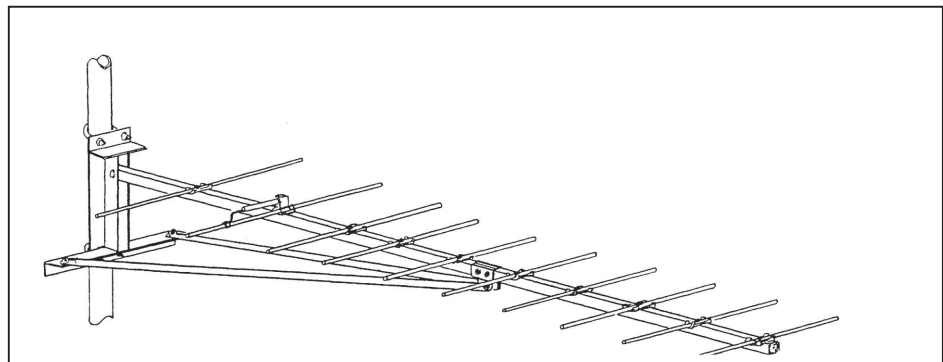


MECHANICAL

MODEL	LENGTH (IN.)	WIDTH (IN.)	WEIGHT (LBS)	THRUST (FT-Lbs)	
				NO ICE	1/4" ICE
J55-LO	94	54	24	69	109
J105-HI	104	33	19	55	77
J55-2	102	110	18	52	80
J55-3	89	100.5	18	46	72
J55-4	88	89	17	40	66
J55-5	80	77	16	36	60
J55-6	71	70	16	32	54
J55-FM	79	65	16	32	54
J105-7	98	33.5	16	35	55
J105-8	98	32.5	16	33.5	52.5
J105-9	98	31.5	15	31.5	50
J105-10	91	30.5	15	30	48.5
J105-11	91	30	15	28.5	46.3
J105-12	85	28.5	15	27.5	44
J105-13	82	27	15	26	42

* LENGTH OF LONGEST ELEMENT

** WIND SPEED 100 MPH



WADE CANTILEVER MOUNT
(SHOWN ON MODEL J105 - ANETNNA)

WADE Antenna Inc.

29 Sharp Road
Brantford, Ontario, N3T 5L8 Canada
Tel: 519.756.7157
Fax: 519.756.5056

(800) 463-1607
sales@wadeantenna.com

www.wadeantenna.com